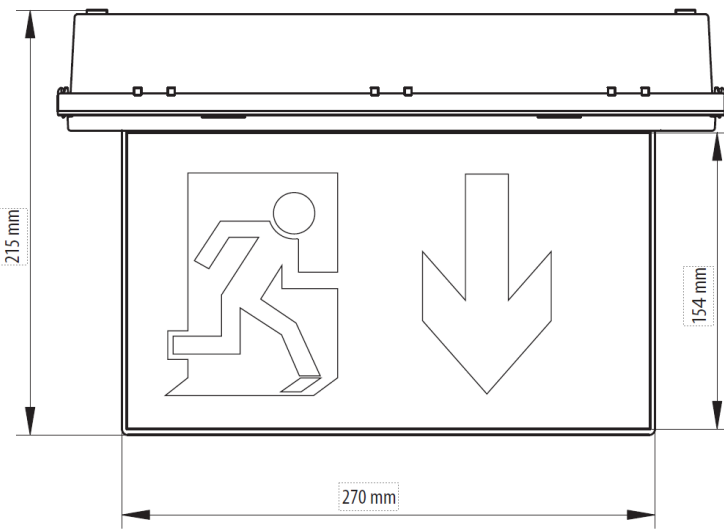
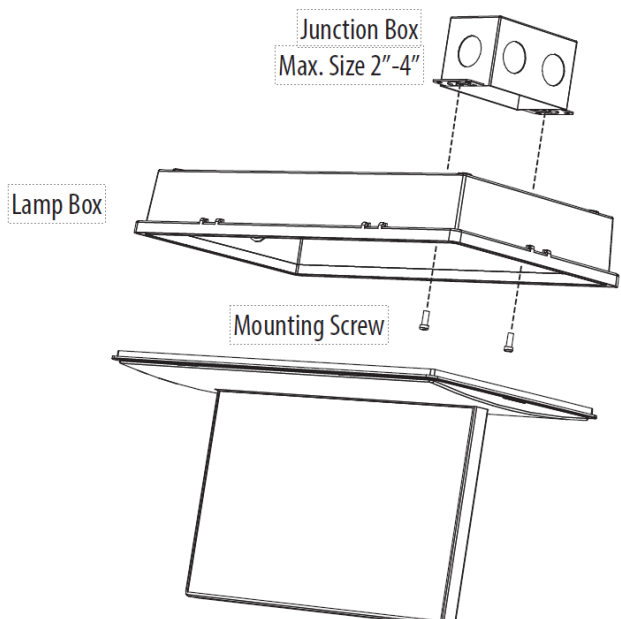
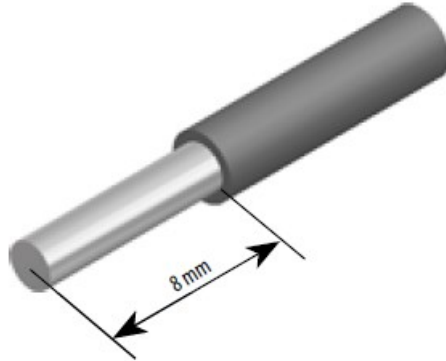





<p><b>Dimensions</b></p> 	
 <p>Copper wire only 14-18 AWG, sol/str Max. Ø 2,5 mm2</p>	<p><b>Wiring</b></p> 

The mode setting jumper switches the lamp to maintain operation if it has such a function. The lamp will switch to battery operation only after the first mains voltage has been cut. After connecting the mains voltage, the lamp checks the led's status and the battery voltage for the reference value of the subsequent test. After being energized, it performs an automatic short function test every 1 and 28 days, a 1-hour capacity test every 365 days, and the LED status gives feedback on the results of the tests.

Battery life is 4 years. In the event of failure or if it does not provide the appropriate bridging time, it can only be replaced by a qualified person in a de-energized state with the one provided by the manufacturer. De-energize the lamp, remove the bad battery, and connect the new battery. Switch the mains voltage back on, the lamp will calibrate if the voltage level is >7V.

### CAUTION!

The device works from mains supply. The mounting must happen only with the supplied retainers.

### IMPORTANT!

In case of maintenance ensure that the device is disconnected from the power. The producer will not take responsibility for the damages caused by qualified service personnel.

The installation of this emergency system shall be performed by authorized personnel who is qualified to perform the installation in accordance with ANSI/NFPA 101, „Life Safety Code”, Article 700 of ANSI/NFPA 70, the NEC „National Electrical Code”, the Federal, State&Local municipal requirements and or any other requirements as applicable and as warranted.