

HFC-227EA CYLINDER

CLEAN AGENT FIRE EXTINGUISHING SYSTEM

Seamless Cylinder

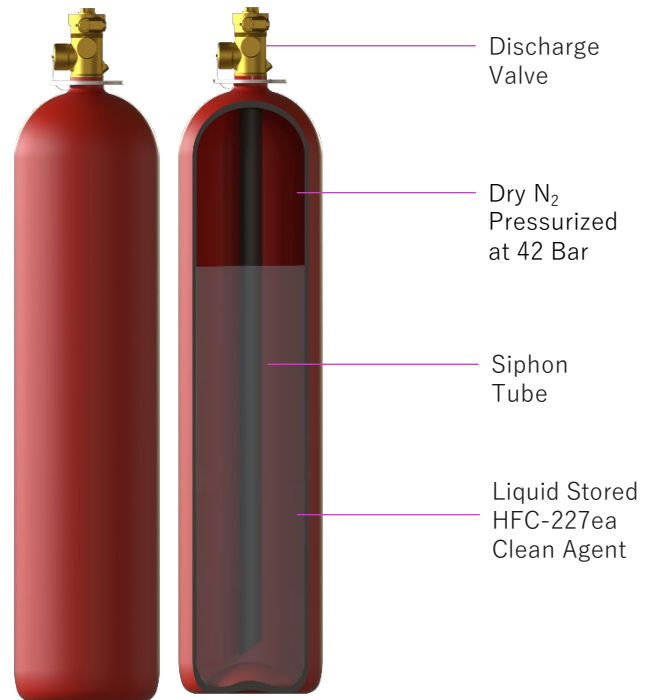
In 42 Bar HFC-227ea System, clean agent is stored as liquid in seamless cylinder designed specifically for the application and charged to a fill density of between 0.5 kg/ltr. (31.5lb/ft³) and 1.0 kg/ltr. (62.9 lb/ft³). To ensure optimal performance, each cylinder is super pressurized with dry nitrogen to 42 bars at 21°C (610psi @ 70°F). An identification label is affixed to the cylinder body indicating the fill quantity of HFC-227ea, charging pressure and date of fill. Many variations in cylinder capacities (Refer Table 2.1.) to select the best as per project requirement.

Fire extinguishing systems utilizing HFC-227ea clean agent are designed to be discharged within 6-10 seconds into a room, area, or enclosure with the structural integrity to retain the agent. The HFC-227ea clean agent uniformly mixes throughout the protected area achieving a minimum concentration level in accordance with NFPA-2001.

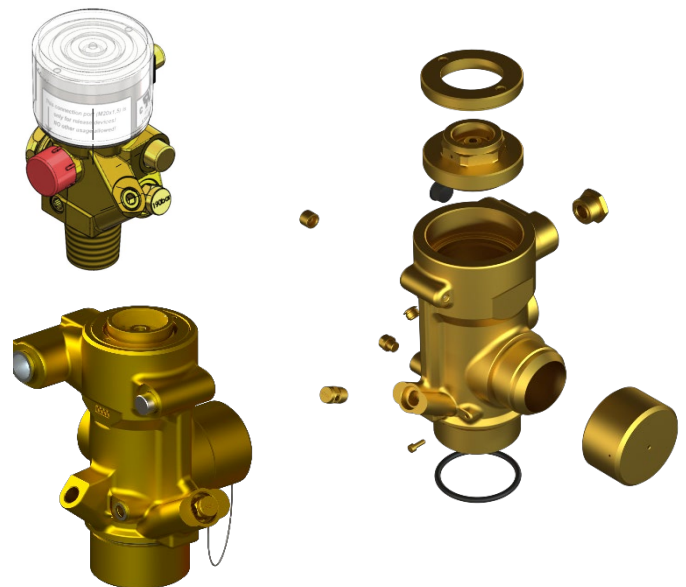
Valve Assembly

The automatic release of HFC-227ea clean agent is controlled by a forged brass, differential pressure operated cylinder valve connected to the neck of the cylinder. Each cylinder and valve assembly are provided with a safety cap and a protection cap which is a safety feature to prevent uncontrolled, accidental discharge. Discharge valve assembly is available in three sizes DN12, DN33 and DN50.

Approval



Typical seamless cylinder & valve assembly



General Arrangement of Discharge Valves

42 Bar HFC-227ea Clean Agent Seamless Cylinders						
Part Number	Valve Size mm	Cylinder Volume liter	Cylinder Diameter mm*	Empty Weight kg**	System Pressure bar	Filling Range kg
HSN-HF-US-SM-008-1	12	8	140	10.4	42	4.0-8.0
HSN-HF-US-SM-013-1		13.4	204	19.5		6.7-13.4
HSN-HF-US-SM-026-1	33	26.8	232	32.0		13.4-26.8
HSN-HF-US-SM-040-1		40	267	48.0		20.0-40.0
HSN-HF-US-SM-067-1		67.5	267	73.0		33.8-67.6
HSN-HF-US-SM-080-1		80	267	84.0		40.0-80.0
HSN-HF-US-SM-120-1		120	356	115.0		60.0-120.0
HSN-HF-US-SM-180-1	50	180	406	176.0		90.0-180.0
HSN-HF-US-SM-220-1		220	406	162.0		110.0-220.0

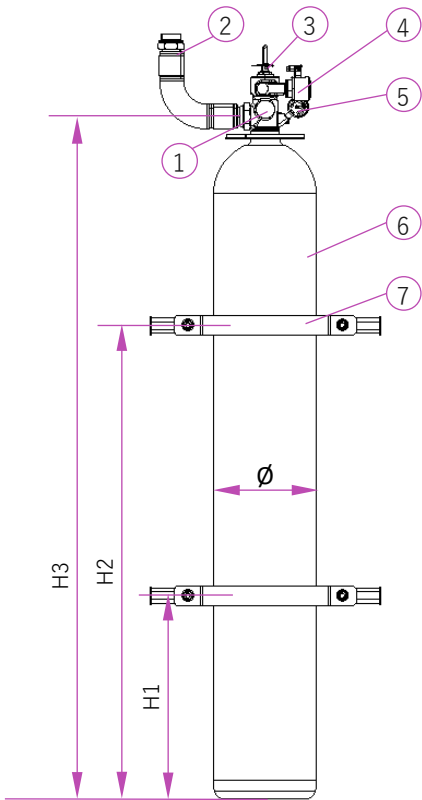
* Cylinder diameters have tolerance +/- 5% according to cylinder manufacturer.

** Cylinder weights are approximately.

IMPORTANT NOTICE: HFC-227ea clean agent fire extinguishing system equipment's are designed for an operating temperature range of 0°C to 50°C (32°F to 122°F).

Hardware for 8 & 13.4L Cylinders		
No.	Description	Part Number
1	DN12 Solenoid Mounted Discharge Valve	HSN-VLV-EU-112
2	Discharge Hose DN12, L:400mm	HSN-DH-12-400
3	Manual Actuator for DN12 Valve	HSN-ACT-M02
4.1	∅50mm contacted pressure gauge 38bar NO	HSN-PGV-NOC-3880
4.2	∅50mm contacted pressure gauge 38bar NC	HSN-PGV-NCC-3880
5.1	8L Seamless TPED Cylinder Set	HSN-HF-US-SM-008-1
5.2	13.4L Seamless TPED Cylinder Set	HSN-HF-US-SM-013-1
6.1	8L Seamless Cylinder Strap	HSN-BRC-140
6.2	13.4L Seamless Cylinder Strap	

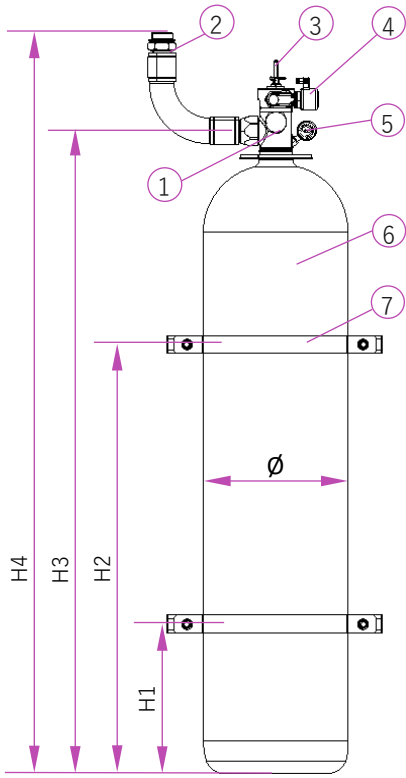
Dimensions for 8 & 13.4L Cylinders				
Type	H1 (mm)	H2 (mm)	H3 (mm)	∅ (mm)
8L	N/A	450	680	140
13.4L	N/A	750	1085	140



Hardware for 26, 40, 67, 80 & 120L Cylinders		
No.	Description	Part Number
1	DN33 Discharge Valve	HSN-VLV-EU-133
2	Discharge Hose DN33, L:400mm	HSN-DH-33-400
3	Manual Actuator	HSN-ACT-M01
4	Solenoid Actuator, 24V DC	HSN-ACT-S03
5.1	ϕ 50mm contacted pressure gauge 38bar NO	HSN-PGV-NOC-3880
5.2	ϕ 50mm contacted pressure gauge 38bar NC	HSN-PGV-NCC-3880
6.1	26L Seamless TPED Cylinder Set	HSN-HF-US-SM-026-1
6.2	40L Seamless TPED Cylinder Set	HSN-HF-US-SM-040-1
6.3	67L Seamless TPED Cylinder Set	HSN-HF-US-SM-067-1
6.4	80L Seamless TPED Cylinder Set	HSN-HF-US-SM-080-1
6.5	120L Seamless TPED Cylinder Set	HSN-HF-US-SM-120-1
7.1	26L Seamless Cylinder Strap	HSN-BRC-219
7.2	40L Seamless Cylinder Strap	
7.3	67L Seamless Cylinder Strap	HSN-BRC-267
7.4	80L Seamless Cylinder Strap	
7.5	120L Seamless Cylinder Strap	HSN-BRC-356

General Arrangement of Assembly of 26, 40, 67, 80 & 120L System

Dimensions for 26, 40, 67, 80, & 120L Cylinders				
Type	H1 (mm)	H2 (mm)	H3 (mm)	ϕ (mm)
26L	N/A	600	880	219
40L	N/A	1000	1330	219
67L	400	1100	1500	267
80L	400	1250	1740	267
120L	400	1200	1500	356



Hardware for 180L & 220L Cylinders		
No.	Description	Part Number
1	DN50 Discharge Valve	HSN-VLV-EU-150
2	Discharge Hose DN50, L:400mm	HSN-DH-50-400
3	Manual Actuator	HSN-ACT-M01
4	Solenoid Actuator, 24V DC	HSN-ACT-S03
5.1	Ø50mm contacted pressure gauge 38bar NO	HSN-PGV-NOC-3880
5.2	Ø50mm contacted pressure gauge 38bar NC	HSN-PGV-NCC-3880
6.1	180L Seamless TPED Cylinder Set	HSN-HF-US-SM-180-1
6.2	220L Seamless TPED Cylinder Set	HSN-HF-US-SM-220-1
7.1	180L Seamless Cylinder Strap	HSN-BRC-406
7.2	220L Seamless Cylinder Strap	

General Arrangement of Assembly of 180L & 220L System

Dimensions for 180L & 220L Cylinders					
Type	H1 (mm)	H2 (mm)	H3 (mm)	H4 (mm)	Ø (mm)
180L	500	1350	1700	2100	406
220L	500	1650	2050	2450	406

Honeywell Fire

Emaar Business Park, Sheikh
Zayed Road Building No. 2, 2nd
Floor, 201. PO. Box 232362
Dubai, United Arab Emirates
Tel: +971 44541704

For more information
www.honeywell.com

© 2024 Honeywell International Inc.

HFC-227 EA CYLINDER PAGE:3

THE
FUTURE
IS
WHAT
WE
MAKE IT

