

# STTR-3192R/W CONVENTIONAL FIRE ALARM SOUNDER WITH FLASHER

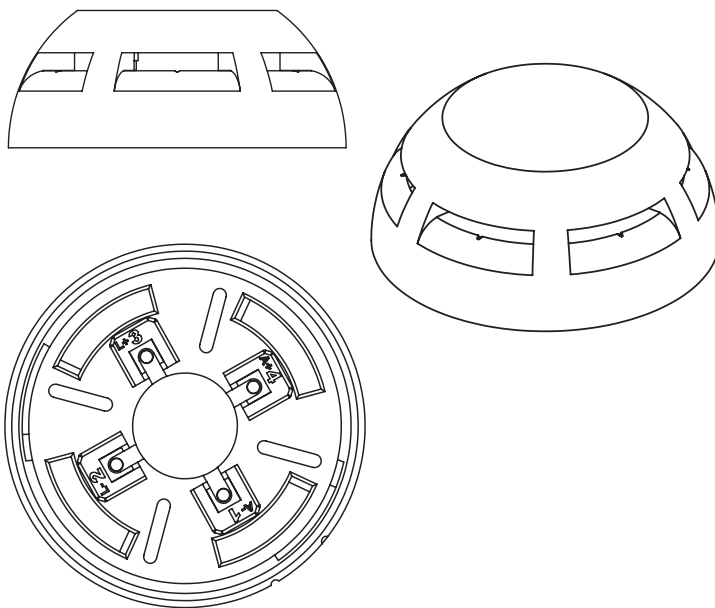
## Sounder

STTR-3192 series internal fire alarm sounder have aesthetic design and low power consumption and are suitable for use with any brand of fire detection systems.



## GENERAL SPECIFICATIONS

- EN 54-3 and EN 54-23 Certified
- Suitable for flush and surface mounting
- Low power consumption
- 100dB high sound level
- IP21C protection class
- Piezo with leak-proof sealant
- Red/White, transparent UL94 non-flammable poly car-bonate plastic frame



## TECHNICAL SPECIFICATIONS

STTR-3192 R/W Technical Specifications	
Standard	EN-54/3 EN-54/23
Operating Type	LED + Piezo
Sound Level	100dB±2 dB (24VDC at 1 mt)
Coverage	W-2. 4-4
Flasher	1 sec ON / 1 sec OFF
LED	RED/WHITE
LED Specifications	Wide angle 7x Bright LED
Sounder	Piezzo Element with leak-proof sealant
Power	24-28 VDC
Alarm Consumption	19 mA.
Dimensions (mm)	Ø:110mm, h:55mm
Body Material	ABS Plastic
Cable Type	0.4mm <sup>2</sup> ~ 1.5mm <sup>2</sup>
Operating Temperature	-20°C ~ 55°C
Humidity	95% RH
Protection Class	IP21C

### Honeywell Fire

Emaar Business Park, Sheikh  
Zayed Road Building No. 2, 2nd  
Floor, 201. PO. Box 232362  
Dubai, United Arab Emirates  
Tel: +971 44541704

For more information  
[www.honeywell.com](http://www.honeywell.com)

© 2020 Honeywell International Inc.

**Honeywell**